

## GAT ECO.Side Lock 7010 (NW) F/ISO

Battery-powered, robust RFID locker lock with optional wireless interface

### FACTS AT A GLANCE

- Maintenance-free “Low-Power Technology”
- Several configurable locker modes (freely selectable locker, personal locker, ...)
- Automatic unlocking function
- Motorized locking/unlocking for maximum reliability
- Locking of personal lockers without data carrier
- Internal memory stores the last 150 bookings
- Hardware compatible with the GAT NET.Lock 7000 locks
- Suitable for left and right doors and various locker materials
- Secure data transmission between lock and data carrier
- Configuration via PC/laptop, data carrier or NFC (MoLA app)
- Vandal-proof installation inside of locker
- Integrated break-in alarm
- Optional wireless interface (type “NW F/ISO”)



The RFID specialist proves once again that GANTNER is a pioneer in the field of locker locking technology with its new generation of the battery-powered, intuitive, and secure GAT ECO.Side Lock 7010 (NW) F/ISO electronic lock. As no cabling is required, it can be integrated into almost every locker with minimal installation costs. With little effort, customers receive an RFID-based, electronic locker or cabinet lock that can be conveniently operated using an RFID or NFC data carrier.

A wireless interface is available upon request, which can be used for the simplest configurations, the reading of bookings and the current status as well as firmware updates. The GAT ECO.Side Locks can be either freely selectable, permanently assigned, or even configured as rental lockers. Thanks to the timer, an automatic opening function is possible that can be used for maintenance at night for example.

The sturdy lock stores the last 150 bookings and guarantees a completely reliable data transmission. It is also possible to define whether the user can only occupy a single locker or several lockers; and since there's no administrative overhead for managing a GAT ECO.Side Lock locking solution (no key management) and the system is self-sufficient, personnel expenses are minimized and administrative costs reduced. Not least due to the intuitive operation of the lock where it is immediately apparent which lockers are free or occupied from the door position and LED display.

GAT NET.Lock BoltSet 7100



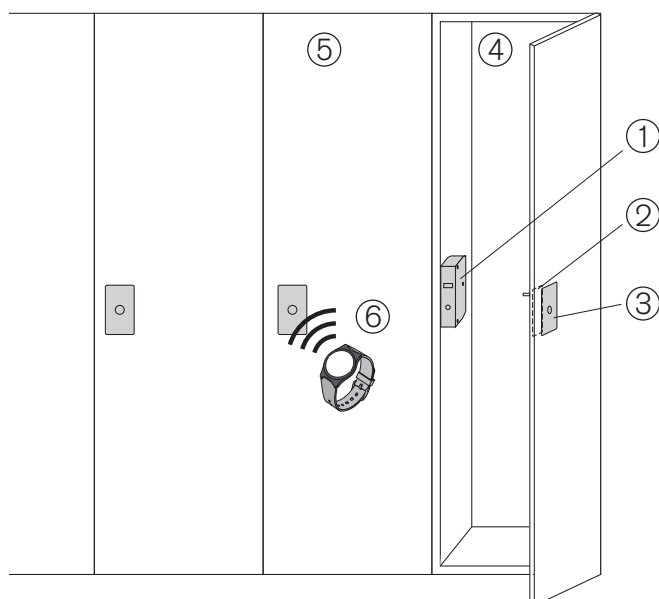
GAT ECO.Side Lock 7010 F/ISO  
GAT ECO.Side Lock 7010 NW F/ISO



## Order Information and Accessories

Description	Part No.
<b>GAT ECO.Side Lock 7010 F/ISO</b>	693430
<b>GAT ECO.Side Lock 7010 NW F/ISO</b>	849130
Battery-powered locker lock for MIFARE® and ISO 15693 data carriers, without door label, without batteries, NW = with wireless interface	
<b>GAT NET.Lock BoltSet 7100</b>	369535
<b>GAT NET.Lock BoltSet 7200</b>	532123
<b>GAT NET.Lock BoltSet 7300</b>	774232
Door shackle carrier and booster for non-metallic doors (7100), metallic doors (7200) and glass doors (7300). The GAT NET.Lock BoltSet 7300 for glass doors does not include adhesive.	
<b>GAT NET.Lock Tool 7000</b>	533831
Marking gauge for bolt mounting on the inner side of the locker door.	
<b>Batterie 3.6V AA Lithium</b>	914430
Lithium battery for the GAT ECO.Side Lock 7xxx. Type Tadiran SL-860/S (EU), alternative in USA Tadiran TL-4903/2	
<b>GAT ECO.Basic Set FD</b>	1100550
Configuration software, USB cable, 3 master data carriers, and 5 system data carriers with special functions	
<b>GAT NET.Lock Label G18 Right</b>	1101743
<b>GAT NET.Lock Label G18 Left</b>	1101742
<b>GAT NET.Lock Label G18 NUM Right</b>	1101745
<b>GAT NET.Lock Label G18 NUM Left</b>	1101744
Self-adhesive door label (99 x 73 mm) for the GAT NET.Lock Bolt Set 72xx, with/without locker number, for left and right-hinged doors	
<b>GAT Key Tag F OPEN MASTER</b>	1100368
Optional data carrier for unlocking locks. Not included in the GAT ECO.Basic Set FD.	

## Typical Application



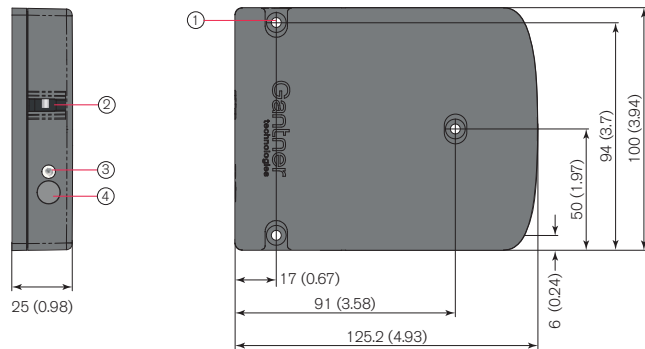
- 1 ...GAT ECO.Side Lock 7010 (NW) F/ISO
- 2 ...Bolt set (on inner side of locker door)
- 3 ...Front label
- 4 ...Open locker
- 5 ...Closed locker
- 6 ...Identification with RFID data carrier

## Technical Data

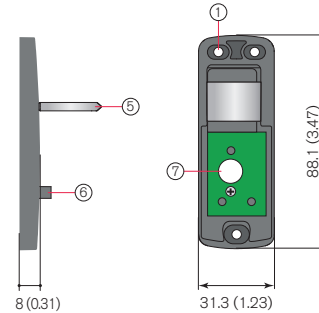
Power supply:	1 x 3.6 V lithium battery*, size: AA, capacity: 2.4 Ah
- GANTNER approved batteries:	EU: Tadiran SL-860/S (Part No. 914430) US: Tadiran TL-4903/2
Battery lifespan:	Up to 10 years* at +20 °C (68 °F) *depending on usage, configuration, and environmental conditions
Data storage:	EEPROM for 150 bookings, data preservation during battery change
Reader type:	- ISO 14443: MIFARE Classic 1k and 4k, Ultralight®, DESFire EV1® and EV2® - ISO 15693 - HID iCLASS (read unique number) - NFC (HCE)
Reading field frequency:	- RFID: 13.56 MHz - Wireless (type "NW"): frequency range 2400 to 2483.5 MHz
Max. transmission power:	- RFID: < 500 mW - Wireless (type "NW"): from -20 dBm to 4 dBm
Reading field range:	5 to 35 mm (0.2 to 1.38 in) (depending on installation and data carrier)
Display element:	LED (red/green)
Configuration interface:	USB 2.0 Micro-B, NFC, Wireless (type "NW")
Break-in resistance capability:	DIN 4547-2 class C
Housing material:	Plastic (PC), halogen-free, V0, dark gray
Weight:	Approx. 400 g (14.1 oz)
Permitted ambient temperature:	-10 °C to +55 °C (14 °F to 131 °F)
Protection type:	IP 52
Environment class (VdS 2110):	II (conditions in indoor areas)
Compliance:	CE

## Device Features and Dimensions

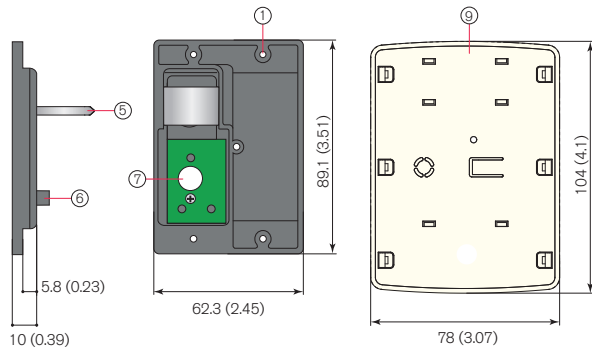
GAT ECO.Side Lock 7010 (NW) F/ISO - *Electronic locker lock*



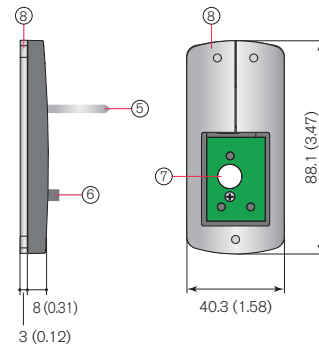
GAT NET.Lock BoltSet 7100 - *Non-metallic doors*



GAT NET.Lock BoltSet 7200 - *Metallic doors*



GAT NET.Lock BoltSet 7300 - *Glass doors*



- 1 .....Mounting hole (3x)
- 2 .....Opening for door shackle
- 3 .....Status LED
- 4 .....Door contact sensor
- 5 .....Door shackle
- 6 .....Door contact
- 7 .....Hole for status LED
- 8 .....Metal support
- 9 .....Label carrier

Measurements in mm  
Inches in brackets